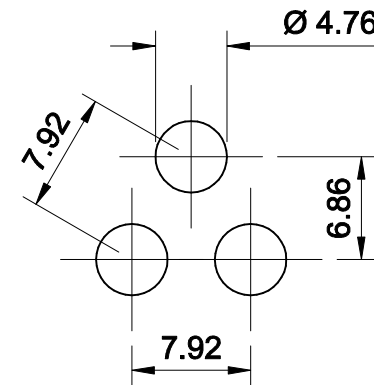


Perforations shown actual size



Enlarged Detail



Perftech Pty. Ltd.  
 10 Macquarie Drive, Thomastown, Vic. 3074  
 Tel. (03) 9465 8000  
 Fax. (03) 9465 5500  
 email. [sales@perftech.com.au](mailto:sales@perftech.com.au)

**PART No. P4779**

**PATTERN** Round staggered

**HOLE SIZE** Ø 4.76 mm

**PITCH** 7.92 mm

**OPEN AREA** 33%