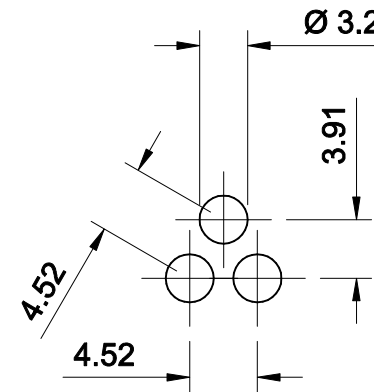


Perforations shown actual size



Enlarged Detail



Perftech Pty. Ltd.  
 10 Macquarie Drive, Thomastown, Vic. 3074  
 Tel. (03) 9465 8000  
 Fax. (03) 9465 5500  
 email. sales@perftech.com.au

<b>PART No.</b>	<b>P3245</b>
<b>PATTERN</b>	Round staggered
<b>HOLE SIZE</b>	Ø 3.2 mm
<b>PITCH</b>	4.52 mm
<b>OPEN AREA</b>	46%