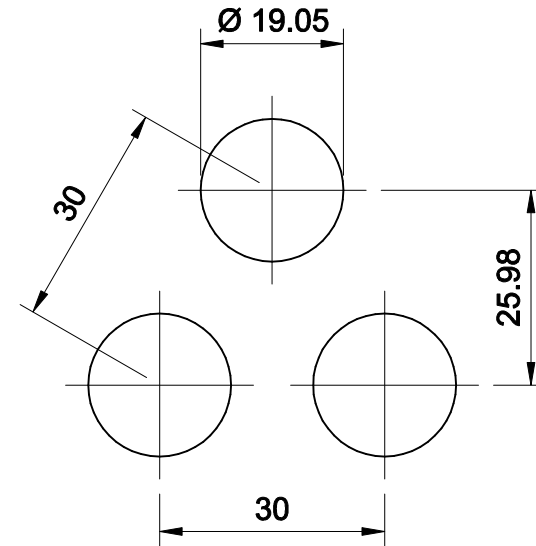


Perforations shown actual size



Detail



Perftech Pty. Ltd.
 10 Macquarie Drive, Thomastown, Vic. 3074
 Tel. (03) 9465 8000
 Fax. (03) 9465 5500
 email. sales@perftech.com.au

PART No. P1930

PATTERN Round staggered

HOLE SIZE Ø 19.05 mm

PITCH 30 mm

OPEN AREA 38%